

Product information presented here reflects conditions at time of publication. Consult factory regarding discrepancies or inconsistencies.



MAIL TO: P.O. BOX 16347 • Louisville, KY 40256-0347
SHIP TO: 3649 Cane Run Road • Louisville, KY 40211-1961
TEL: (502) 778-2731 • 1 (800) 928-PUMP • FAX: (502) 774-3624

Visit our web site:
zoellerpumps.com

REPLACEMENT PARTS LIST FOR MODELS:

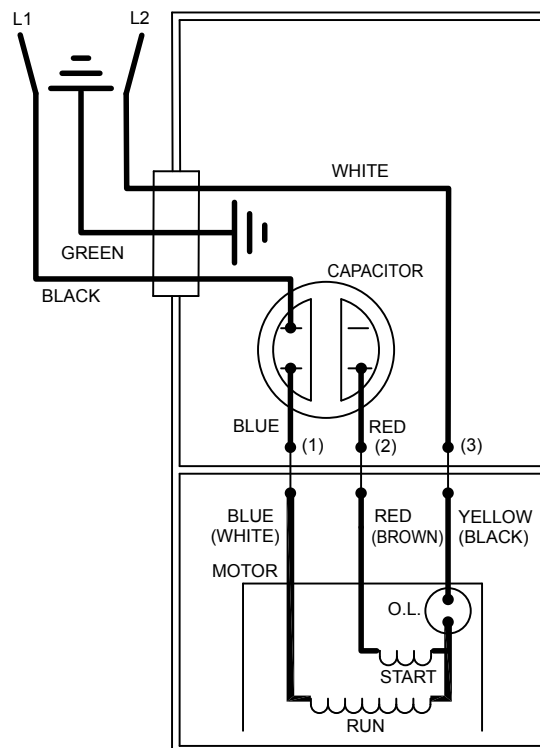
E191 NONAUTOMATIC 230V/1PH

Consult factory for all other models

TO ORDER REPLACEMENT PARTS:

PLEASE FURNISH THE FOLLOWING INFORMATION:

- Model Number.
- Part Number of Pump.
- Part Number and Description of part.



002397

WIRING DIAGRAM FOR MODELS
"E191"
6/95 thru Current

REPLACEMENT PARTS LIST FOR MODEL "E191".

				MODEL:	
				E191-A	E191-B
REF NO.	DESCRIPTION	QTY	NOTES	6/95 thru 5/08	6/08 thru Current
1	• Handle	1		217069	217069
2	Cover & Cord 230V/1P	1	2	004097	014162
3	Cord Term. & Seal 20'/230V/20a/Na	1	2	004376	014175
4	• Seal, Cord-Asm. & Str. Rif. 14ga	1		004375	015634
5	Cover-Mach. 14ga Cd.	1		004372	014150
6	• Gasket, Case/Cover	1		001011	001011
7	• Wire Pkg. (5) Wires 1.5/2 HP	1		004751	004751
8	• Capacitor & Clamp Asm. 35UF	1		006135	006135
9	Housing, Mtr. & Str. 230/1P/1.5-2HP	1	1	004993	019233
10	Bearing, Upper Sleeve	1		001012	NA
	• Bearing, Upper Ball			NA	006703
11	• Plug, Test-White	2		034090	034090
12	• Seal, Thru Wall Term.	3		003402	003402
13	Rotor & Brg. Asm. 230/1P/1.5-2HP	1		004994	019646
14	• Bearing, Radial	1		009861	009861
15	• Seal, Mtr. Hsg.	1		001014	001014
16	• Oil, Dielectric-(38 Oz Can)	1		002383	011066
17	Adapter-Mach.	1		001003	001003
18	• Seal, Shaft	1		002430	002430
19	Flange Pkg. 2" NPT	1		10-1305	10-1305
	Flange Pkg. 3" NPT			10-1306	10-1306
20	Impeller Br. "191"	1	2	009862	009862
21	Housing, Pump-Mach.	1		009863	009863
22	Strainer Plate	1		137008	137008
23	• Screw, .25-20 X .75 HHM-SS	4		001916	001916
24	• Screw, .313-18 X 1"HH Cap-SS	4		002608	002608
25	• Screw, #10-24 X.375 RHM-SI SS	1		001883	001883
26	• Screw, 10-24x.375HH-SI Tc .688 Wash.	2		002000	002000
27	• Screw, .5-13 X 2 HH Cap-SS	2		001909	001909
28	• Washer, SS-1.25" OD x.562" ID x.078	2		002115	002115
29	• Screw, #6-32x.25RHM SI Tc Stlgr	3		001877	001877
30	• Screw, .25-20x1" HHM-SS	4		007790	007790
□	Rebuild Kit			004753	019649

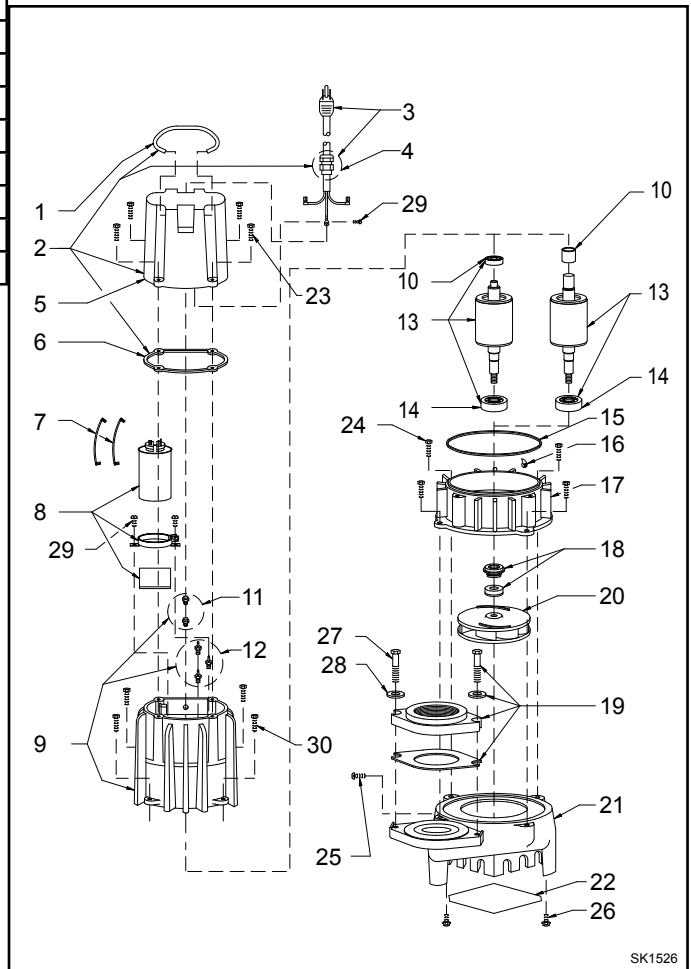
• Items included in Rebuild Kit.

□ Not Shown in Illustration.

NOTES:

- 1) Mtr. Hsg., Brg., Stator & Term. (Item 9) is preassembled at the factory and must be replaced as a unit. Stator is permanently attached to the Motor Housing. Plug (Item 11); Seal, Thru Wall Term. (Item 12) and Bearing -Upper (Item 10) are replaceable.
- 2) If an "X" follows Model No., or Date Mfg. on ID tag, consult factory for ordering any parts.
- 3) See FM0160 Parts Price Sheet for listing of parts prices.
- 4) "NA" indicates, not applicable.

REPLACEMENTS PARTS ILLUSTRATION FOR MODEL "E191"



SK1526